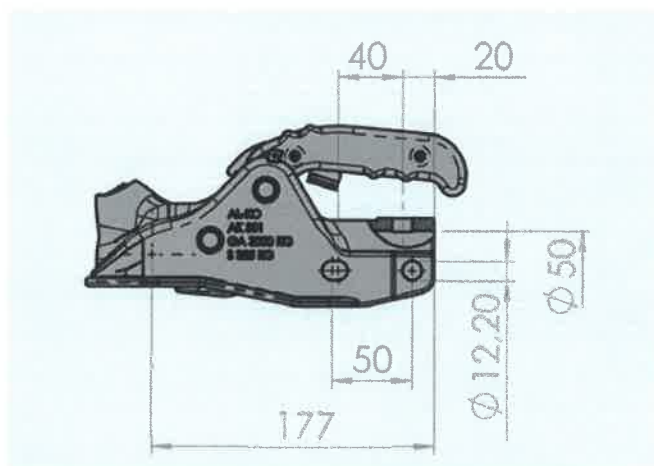


COUPLING HEAD AK 301

for braked trailers up to 3,000 kg



PROFI coupling head type AK 301

SAP: KUPLNG KUGL AK301 D50

Part No.	1221746
Perm. gross weight	3,000 kg
Nose load	325 kg
D/Dc value	26.9 kN
Material	Cast iron
Holes	horizontal + cross
Tightening torque	75 Nm
ECE type approval no.	E155R-01 1594
	2.85 kg
	104 units

PROFI coupling head type AK 301 with Soft-Dock

SAP: KUPLNG KUGL AK301 D50/45 SOFTDOCK VERP

Part No.	1223715
Perm. gross weight	3,000 kg
Nose load	325 kg
D/Dc value	26.9 kN
Material	Cast iron
Holes	horizontal + cross
Tightening torque	75 Nm
ECE type approval no.	E155R-01 1594
	3.25 kg
	50 units

PROFI Safety Kit for AK 301

SAP: KIT SAFETY AK301 D50/45 M ZUBEHÖR VERP

Part No.	1223427
Perm. gross weight	3,000 kg
Nose load	325 kg
D/Dc value	26.9 kN
Material	Cast iron
Holes	horizontal + cross
Tightening torque	75 Nm
ECE type approval no.	E155R-01 1594
	3.45 kg
	125 units